

FOR SALE by SEALED BID
2015 CHEVY TAHOE SSV



All reasonable Bids will be accepted, please see GM build sheet and all added options for vehicle details. There will be a reserve on this vehicle. If you would like to see this vehicle or test drive, please contact Steve Waldman at 610-721-6285 to set a time for review.

All installed equipment **except** County/Township Radios and Knox Box will be sold with this Tahoe.

Vehicle is being sold AS IS.

CASH or CHECK Accepted

We will be accepting Bids until JUNE 1st 2019
Please send name, contact information and all bids
to:

Limerick Fire Department
ATTN: TAHOE / Chief Engineer
390 West Ridge Pike
Limerick, PA. 19468

Vehicle Information

VIN: 1GNSK3EC5FR291260

Model: CK15706-2015 TAHOE 4WD

Service Contract: No

Branded Title: No

Warranty Block: No

PDI Status: Yes

Order Type: 50 - FLEET

Field Actions: [Open](#)

REQUEST ANOTHER VIN

Vehicle Build

Model: CK15706-2015 TAHOE 4WD

Order Number: RXXV3D

Gross Vehicle Weight: 3,314

Build Date: 09/15/2014

Build Plant: R

Option Codes

*IVH is not the definitive source of GM Vehicle RPO information and is intended for service reference only. Should there be any questions about the vehicle's original build or RPO information please refer to the original vehicle invoice or window sticker.

1FL - 1FL PACKAGE

4AA - INTERIOR TRIM

6ZH - COMPONENT FRT LH COMPUTER

8X2 - COMPONENT RR LH NON-COMPUTER

9X2 - COMPONENT RR RH NON-COMPUTER

AG1 - SIX-WAY POWER DRIVER SEAT

AKJ - WINDSHIELD STYLE SHADE BAND

AKO - GLASS, DEEP-TINTED

AL0 - AIRBAG SENSING SYSTEM, PASSENGER

ARL - PLANT CODE-ARLINGTON, TX

ATD - 3RD ROW SEAT DELETE

AXP - VEHICLE TYPE VEHICLE TYPE - NOT REQUIRED

AZ3 - SEATS, FRONT 40/20/40 BENCH DELETES: CENTER CONSOLE AND DRIVER INBOARD SEAT MOUNTED AIRBAG

BVE - RUNNING BOARDS, ASSIST STEPS

C49 - REAR WINDOW DEFROSTER

CE1 - WINDSHIELD WIPERS, RAIN SENSING

DL8 - POWER HEATED OUTSIDE MIRRORS

E2C - ORDER TO DELIVERY - EXPEDITE

FHS - VEHICLE FUEL GASOLINE E85

G80 - AUTO LOCKING REAR DIFFERENTIAL

GU4 - REAR AXLE 3.08 RATIO

I15 - ENGINEERING YEAR 2015

JD9 - ANTILOCK BRAKES, 4 WHEEL DISC

K47 - HIGH CAPACITY AIR CLEANER

KC4 - ENGINE OIL COOLING SYSTEM

KNP - HD AUX TRANS. COOLING SYS

L83 - ENGINE, 5.3L V8 ECOTEC3

MYC - TRANSMISSION, 6 SPD AUTOMATIC

NE1 - 50-STATE EMISSIONS

NQH - TRANSFER CASE 2-SPEED

NZZ - FRONT UNDERBODY SHIELD

R6D - FLT-BID ASSISTANCE/CE

R7J - G80 IDENTIFIER

R9Y - FLEET MAINTENANCE CREDIT

1SZ - OPTION PACKAGE DISCOUNT

5W4 - SPECIAL SERVICE

7ZH - COMPONENT FRT RH COMPUTER

9U3 - SEO-SEATS INDIVIDUAL CLOTH (DELETES CENTER SECTION)

A31 - EXPRESS DOWN, EXPRESS UP POWER POWER WINDOWS

AG2 - PWR SEAT ADJUSTER, FRONT PASSENGER

AKK - WINDSHIELD, LAMINATED GLASS

AKX - WINDSHIELD TYPE SOLAR ABSORB

AQQ - REMOTE KEYLESS ENTRY

AT6 - SEATS, SECOND ROW 60/40 SPLIT FOLDING BENCH

AU3 - POWER DOOR LOCK SYSTEM

AY0 - AIRBAGS

BG9 - FLOOR COVERING, RUBBERIZED-VINYL (REPLACES CARPET FLOOR COVERING AND RUBBERIZED VINYL FLOOR MATS)

C25 - INTERMITTENT FRONT WIPERS

C6A - GVW RATING - 7,300 LBS

CJ4 - CLIMATE CONTROL, TRI-ZONE AUTOMATIC

DNS - SUPPLIER INSTALLED EQUIPMENT

EF7 - COUNTRY CODE, U.S.A.

FLT - FLEET PROCESSING OPTION

GAZ - SUMMIT WHITE

H0U - JET BLACK

IO3 - AUDIO SYSTEM, W/ 4.2" DIAGONAL COLOR SCREEN

K34 - CRUISE CONTROL

K4B - HEAVY DUTY AUXILIARY BATTERY

KI4 - POWER OUTLET, 110-VOLT AC

KW7 - GENERATOR 170 AMP

MAH - MARKETING AREA NORTH AMERICA

N33 - STEERING COLUMN, TILT

NK5 - STEERING WHEEL

NU5 - EMISSION SYSTEM CALIFORNIA

PZX - WHEELS, 18" BRIGHT-MACHINED ALUMINUM

R7E - ID-LICENSE PLATE BRACKET CHARGE

R9N - FORCE ON ALL VEHICLES FOR PRICING OF INTERIOR TRIM

R9Z - POMS EXPEDITE-SOLD ORDERS/TSE

RC4 - TIRE, SPARE 17" ALL SEASON BLACKWALL	RKX - TIRES, ALL SEASON
RUF - WHEEL, 17" STEEL SPARE	SAF - SPARE TIRE LOCK
TB4 - REAR LIFTGATE, MANUAL	TG5 - SINGLE-SLOT CD/MP3 PLAYER
U2J - SIRIUS XM DELETE	U77 - ANTENNA RR WINDOW, RADIO
UD7 - REAR PARK ASSIST	UDC - DRIVER INFORMATION CENTER
UE0 - ONSTAR DELETE DELETES: BLUETOOTH FOR PHONE	UJM - TIRE PRESSURE MONITOR SYSTEM (EXCL SPARE TIRE)
UMN - SPEEDOMETER, MILES & KILO, MILES FOR ODOMETER	UN9 - RADIO SUPPRESSION PKG
UQ3 - ENHANCED AUDIO SPEAKERS	UTJ - THEFT DETERRENT SYSTEM
UVC - REAR VISION CAMERA	V8D - VEHICLE STATEMENT
VK3 - FRONT LICENSE PLATE BRACKET	VPV - SHIP THRU FREIGHT (KERR)
VQ2 - FLEET ORDERING AND ASSISTANCE	VRK - VAA/COMPONENT REL ROOF TRIM
VT7 - OWNERS MANUAL ENGLISH	WMF - VIN MODEL YEAR 2015
X88 - CHEVROLET CONVERSION	XL7 - FREQUENCY RATING 315 MH
YK6 - SEO IDENTIFICATION	Z82 - TRAILERING EQUIPMENT
ZW7 - PREMIUM RIDE SUSPENSION	ZY1 - SOLID PAINT



BLOCK COMMUNICATIONS

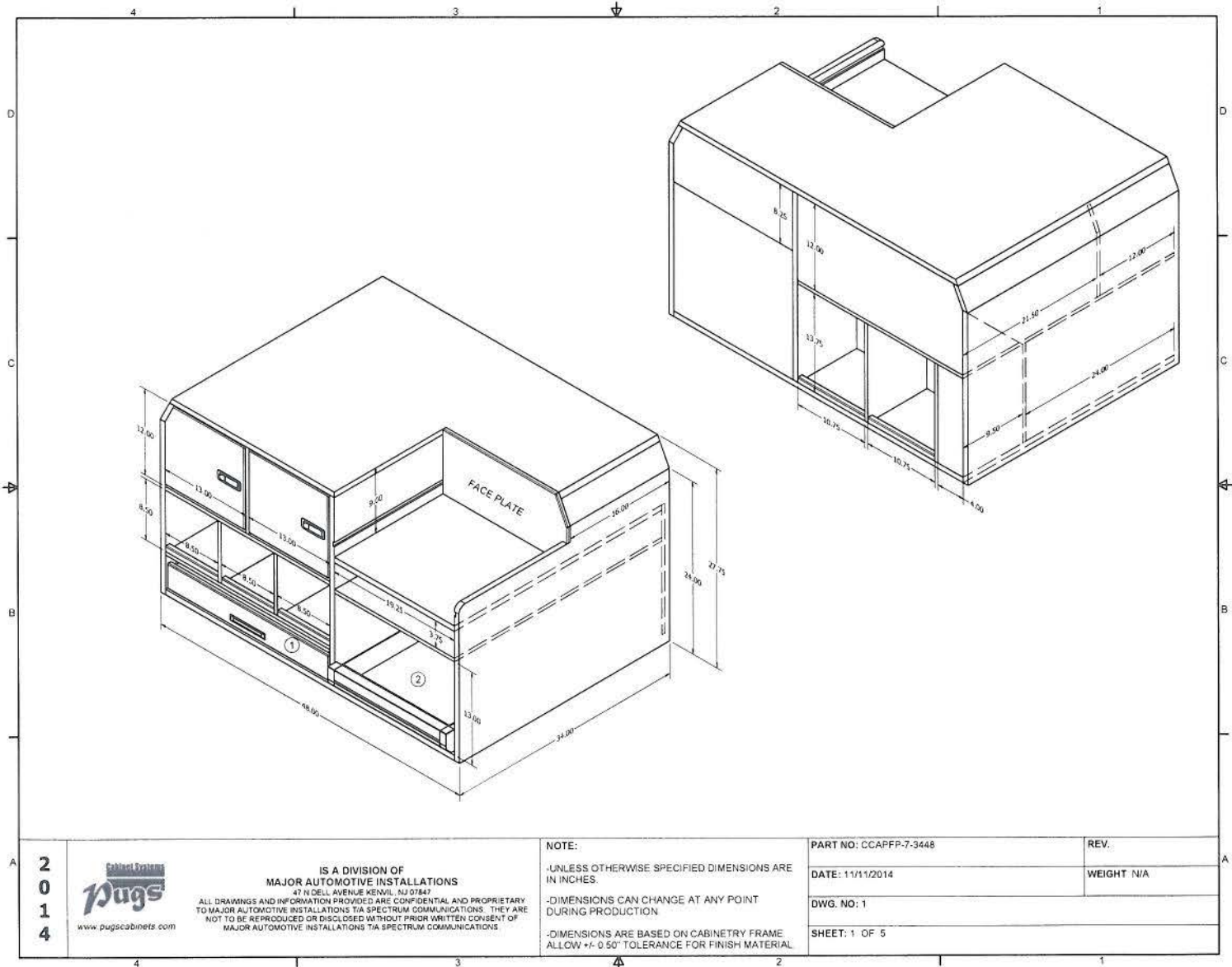
VIITEL DIVISION

"Keeping you safe on the road"

2/20/2015

2015 Chevy

Part Number	Description	List Price	Qty	Extended Price
RX2752ABC	52" RX2700 Lightbar Clear Lens	\$	1	\$
	REF22 Red/White Corner Modules	Included	4	\$ -
	REF22 Red/White Forward facing modules	Included	4	\$ -
	REF22 Red rear facing Modules	Included	5	\$ -
Upgrade	Upgraded Rear Modules Red/Amber for Arrowstick Function	N/C		\$ -
	LED Takedown lights	Included	2	
	LED Alley Lights (Pair)	Included	1	\$ -
N-3	Emitter	\$	1	\$
3997CCR	3997 switch, siren and PA	\$	1	\$
C3100U	100 Watt Speaker	\$	1	\$
PB400	Setina Front Push Bumper	\$	1	\$
GJCC	Center Console W/Arm Rest and Cup Holder	\$	1	\$
	3 mobiles, 4 portables, CLA, USB			
T-REXR	T-Rex Red Rear Window	\$	2	\$
T-REXR	T-Rex Red (Side of Push Bumper)	\$	2	\$
T-REXR	T-Rex Red (Front Push Bumper or Grill)	\$	2	\$
T-RexLBKT	"L" Brackets for T-Rex series Lights	\$	4	\$
HB915W	Hide-A-Way Front Corner white (needed for double housing)	\$	2	\$
HB6PackW	Hide-A-Way Corner LED White (Not used due to Housing)	\$	0	\$ -
950TH15	Headlight/Tail Light Flash*	\$	1	\$
	Truck we need to go to Chevy to reprogram BCM			
	to activate the Brake Light/Rev Light Flasher			
950	Flasher for rear tail Light Halo	\$	1	\$
	4 - XT4 Red/Red flush mounted into factory running boards	\$	1	\$
HB6PackW	Flush mounted into rear hatch set to steady burn for ground	\$	2	\$
	lighting			
HB6PAKRW	1" Red/White flush mounted into rear hatch (rear Facing)	\$	2	\$
XT4DSW	Dual Stacked White Steady Burn Aux rear lighting	\$	2	\$
XT4DRUBZ	Rubber Flush Mount for above	\$	2	\$
PUG	Custom Command Box for rear of truck	\$	1	\$
	Wired for Flash lights, TIC, CLA, USB, 3 Mobiles, 4 Portables			
DP2742P	27" Touch Screen Monitor/32GB Solid State Computer	\$	1	\$
091-56-12-KIT	Kussmaul Auto Charger 1000/Auto Eject with White Cover	\$	1	\$
	Display graph. To be Mounted on rear Qt panel Driver Side			
PV700	700 Watt Invertor	\$	1	\$
	Slide out Keyboard/Mouse/Monitor	\$	1	\$
	19" Monitor with full keyboard and touch pad			
	25' monitor cable With Audio	\$	1	\$
Acable	Antenna Cable	\$	4	\$
GPSAnt	GPS Antenna (Needed for New Radio System)	\$	1	\$
SS	Shop Supplies	\$	1	\$
EVDC	Emergency Vehicle Distribution Center	\$	1	\$



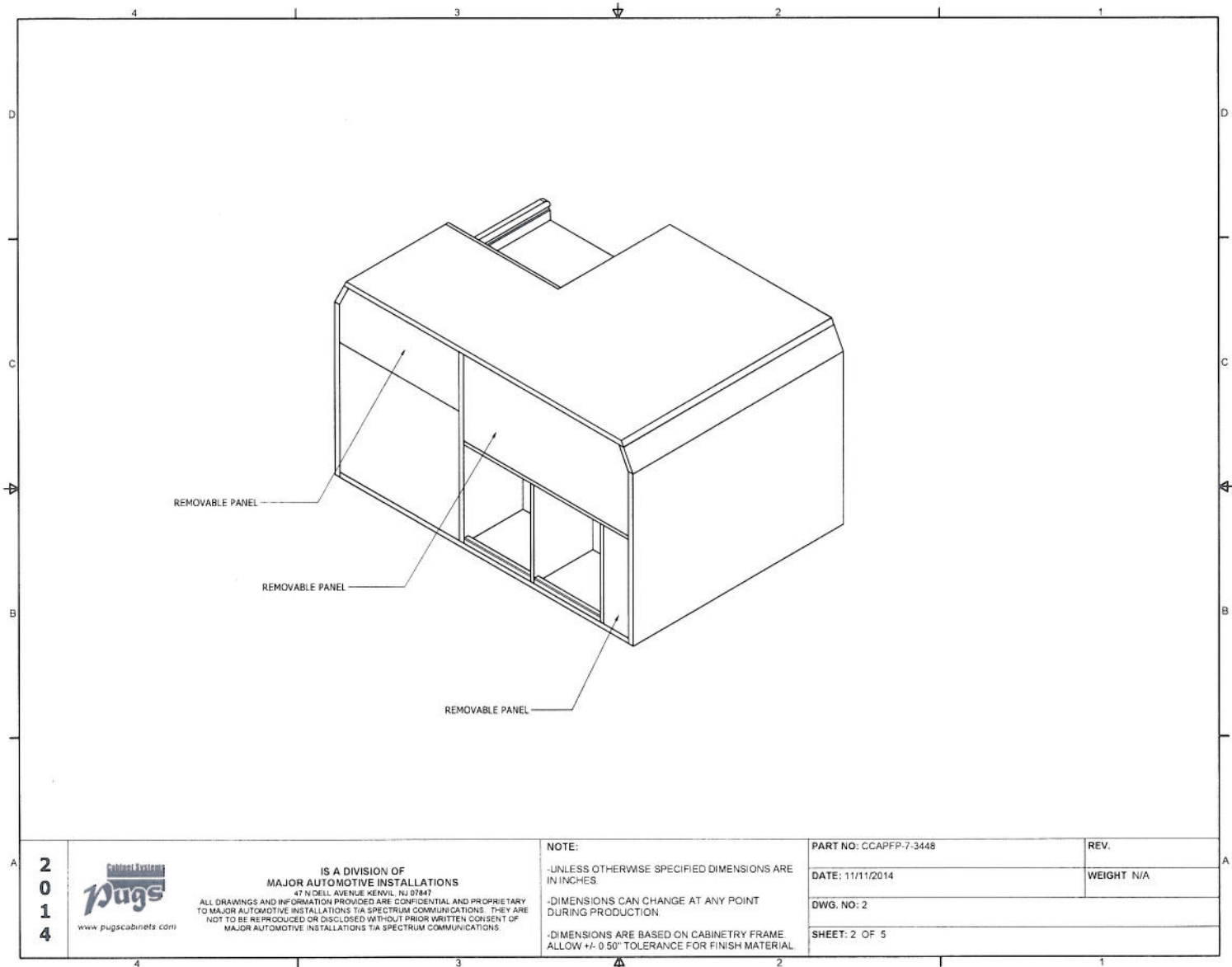
2
0
1
4



IS A DIVISION OF
MAJOR AUTOMOTIVE INSTALLATIONS
 47 N DELL AVENUE KENVIL, NJ 07847
 ALL DRAWINGS AND INFORMATION PROVIDED ARE CONFIDENTIAL AND PROPRIETARY
 TO MAJOR AUTOMOTIVE INSTALLATIONS VIA SPECTRUM COMMUNICATIONS. THEY ARE
 NOT TO BE REPRODUCED OR DISCLOSED WITHOUT PRIOR WRITTEN CONSENT OF
 MAJOR AUTOMOTIVE INSTALLATIONS VIA SPECTRUM COMMUNICATIONS

NOTE:
 -UNLESS OTHERWISE SPECIFIED DIMENSIONS ARE
 IN INCHES.
 -DIMENSIONS CAN CHANGE AT ANY POINT
 DURING PRODUCTION
 -DIMENSIONS ARE BASED ON CABINERY FRAME
 ALLOW +/- 0.50" TOLERANCE FOR FINISH MATERIAL

PART NO: CCAPFP-7-3448	REV.
DATE: 11/11/2014	WEIGHT N/A
DWG. NO: 1	
SHEET: 1 OF 5	



REMOVABLE PANEL

REMOVABLE PANEL

REMOVABLE PANEL

2
0
1
4



IS A DIVISION OF
MAJOR AUTOMOTIVE INSTALLATIONS
 47 N DELL AVENUE KENVIL, NJ 07847
 ALL DRAWINGS AND INFORMATION PROVIDED ARE CONFIDENTIAL AND PROPRIETARY
 TO MAJOR AUTOMOTIVE INSTALLATIONS TIA SPECTRUM COMMUNICATIONS. THEY ARE
 NOT TO BE REPRODUCED OR DISCLOSED WITHOUT PRIOR WRITTEN CONSENT OF
 MAJOR AUTOMOTIVE INSTALLATIONS TIA SPECTRUM COMMUNICATIONS.

NOTE:
 -UNLESS OTHERWISE SPECIFIED DIMENSIONS ARE
 IN INCHES.
 -DIMENSIONS CAN CHANGE AT ANY POINT
 DURING PRODUCTION
 -DIMENSIONS ARE BASED ON CABINERY FRAME.
 ALLOW +/- 0.50" TOLERANCE FOR FINISH MATERIAL.

PART NO: CCAPFP-7-3448

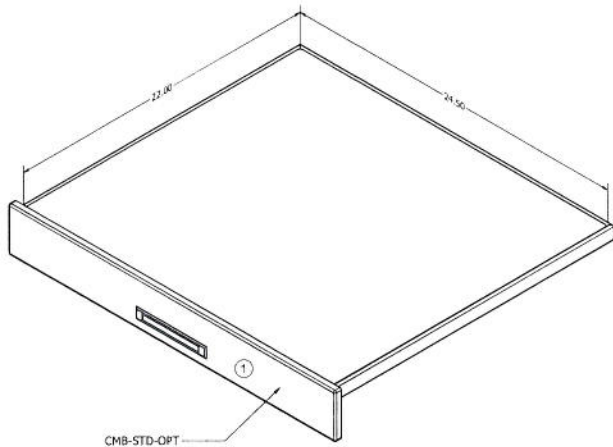
REV.

DATE: 11/11/2014

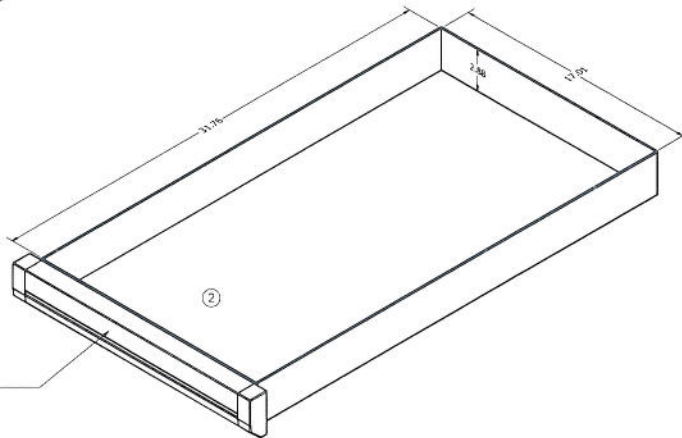
WEIGHT N/A

DWG. NO: 2

SHEET: 2 OF 5



CMB-STD-OPT
STANDARD COMMAND BOARD



ALUMINUM UTILITY TRAY
W/LOCKING SLIDES

2
0
1
4



IS A DIVISION OF
MAJOR AUTOMOTIVE INSTALLATIONS
47 N DELL AVENUE KENVIL, NJ 07847
ALL DRAWINGS AND INFORMATION PROVIDED ARE CONFIDENTIAL AND PROPRIETARY
TO MAJOR AUTOMOTIVE INSTALLATIONS VIA SPECTRUM COMMUNICATIONS. THEY ARE
NOT TO BE REPRODUCED OR DISCLOSED WITHOUT PRIOR WRITTEN CONSENT OF
MAJOR AUTOMOTIVE INSTALLATIONS VIA SPECTRUM COMMUNICATIONS.

NOTE:

- UNLESS OTHERWISE SPECIFIED DIMENSIONS ARE IN INCHES
- DIMENSIONS CAN CHANGE AT ANY POINT DURING PRODUCTION
- DIMENSIONS ARE BASED ON CABINETY FRAME. ALLOW +/- 0.50" TOLERANCE FOR FINISH MATERIAL

PART NO: CCAPFP-7-3448

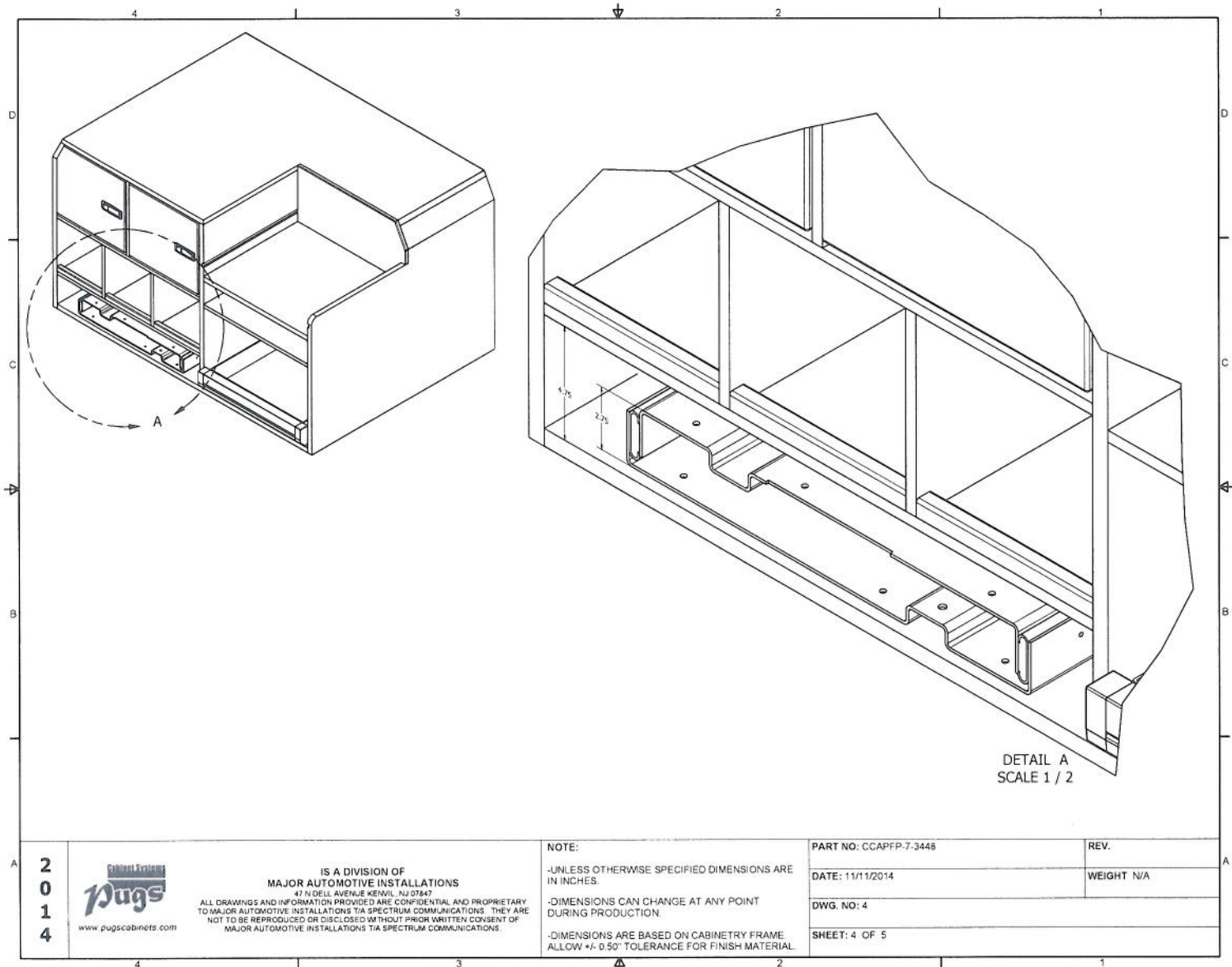
DATE: 11/11/2014

DWG. NO: 3

SHEET: 3 OF 5

REV.

WEIGHT N/A



DETAIL A
SCALE 1 / 2

2
0
1
4



IS A DIVISION OF
MAJOR AUTOMOTIVE INSTALLATIONS
 47 N DELL AVENUE KENIL, NJ 07847
 ALL DRAWINGS AND INFORMATION PROVIDED ARE CONFIDENTIAL AND PROPRIETARY
 TO MAJOR AUTOMOTIVE INSTALLATIONS TIA SPECTRUM COMMUNICATIONS. THEY ARE
 NOT TO BE REPRODUCED OR DISCLOSED WITHOUT PRIOR WRITTEN CONSENT OF
 MAJOR AUTOMOTIVE INSTALLATIONS TIA SPECTRUM COMMUNICATIONS.

NOTE:
 -UNLESS OTHERWISE SPECIFIED DIMENSIONS ARE
 IN INCHES.
 -DIMENSIONS CAN CHANGE AT ANY POINT
 DURING PRODUCTION
 -DIMENSIONS ARE BASED ON CABINERY FRAME.
 ALLOW +/- 0.50" TOLERANCE FOR FINISH MATERIAL.

PART NO: CCAPFP-7-3448	REV.
DATE: 11/11/2014	WEIGHT: N/A
DWG NO: 4	
SHEET: 4 OF 5	